



[Homepage](#) > [Products](#) > [RFID Antennas](#) > [Near Field Antenna](#) > **865-928 MHz**

865-928 MHZ

MT - 241033/S
865 - 928 MHZ NEAR FIELD READER ANTENNA



ELECTRICAL

REGULATORY COMPLIANCE	RoHS, CE 0682
FREQUENCY RANGE	865 – 956 MHz
GAIN	-13 dBi (typ)
VSWR	1.4:1 (max)
NEAR FIELD INTENSITY @ 1cm	-10 dBA/m (typ)
POWER	2W (max)
INPUT IMPEDANCE	50 (ohm)
LIGHTNING PROTECTION	None
DC RESISTOR	10kohm ±10%

MECHANICAL

DIMENSIONS (LxWxD)	166 x 74 x 31mm (max)
CONNECTOR	SMA Female
WEIGHT	0.2 kg (max)
RADOME MATERIAL	Plastic
BASE PLATE MATERIAL	Aluminum with chemical conversion coating
OUTLINE DRAWING	RD43197700C
TAG TYPE	Neptune (1.5cm x 2 cm) Reading Range -Height : 40 mm (typ)

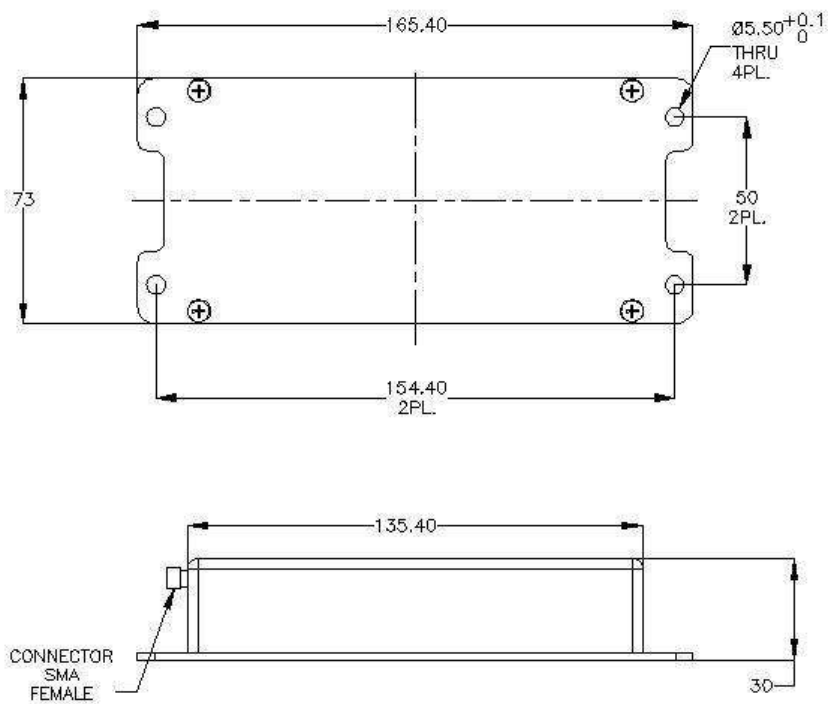
ENVIRONMENTAL

TEST	STANDARD	DURATION	TEMPERATURE	NOTES
LOW TEMPERATURE	IEC 68-2-1	72 h	-55°C	
HIGH TEMPERATURE	IEC 68-2-2	72 h	+71°C	
TEMP. CYCLING	IEC 68-2-14	1 h	-45°C +70°C	3 Cycles
VIBRATION	IEC 60721-3-4	30 min/axis		Random4M3
SHOCK MECHANICAL	IEC 60721-3-4			4M3
HUMIDITY	ETSI EN300-2-4 T4.1E	144 h		95%

SOLAR RADIATION	ASTM G53	1000h	
FLAMMABILITY	UL 94		Class HB
SALT SPRAY	IEC 68-2-11 Ka	500h	
ICE AND SNOW			25mm Radial
WIND SPEED SURVIVAL OPERATION			220 Km/h 160 Km/h
WIND LOAD (SURVIVAL)			2.7 kg
FRONT THRUST			0.8 kg
SIDE THRUST			

**AZIMUTH RADIATION PATTERN MIDBAND
FREQ. 1.82 GHZ**

**ELEVATION RADIATION PATTERN MIDBAND
FREQ. 1.82 GHZ**



WAIVER!

While the information contained in this document has been carefully compiled to the best of our present knowledge, it is not intended as presentation or warranty of any kind on our part regarding the fitness of the products concerned for any particular use or purpose and neither shall any statement contained herein be construed as a recommendation to infringe any industrial property rights or as a license to use any such rights. The fitness of each product for any particular purpose must be checked beforehand with our specialists.

